

ASSISI



AS 001 NEW DECORATION

CODICI PANNELLI
PANEL CODES

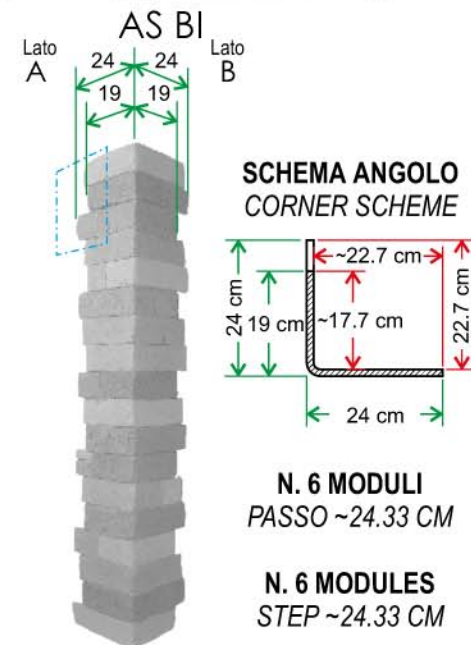
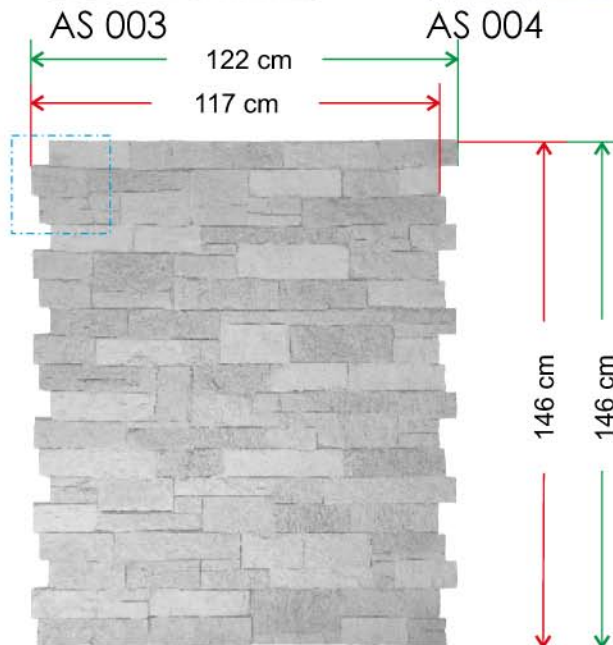
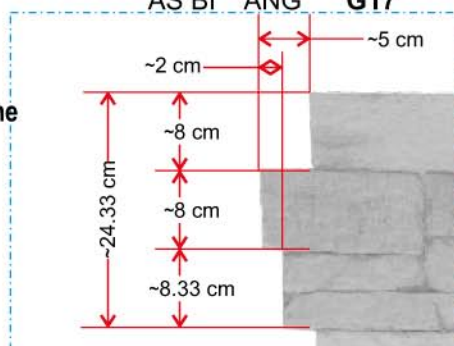
AS 001 **G18**
AS 002 **G18**
AS 003 **G18**
AS 004 **G18**
AS BI **G18**

CODICI ANGOLO
CORNER CODES

AS 001 ANG **G17**
AS 002 ANG **G17**
AS 003 ANG **G17**
AS 004 ANG **G17**
AS BI ANG **G17**

Modulo
di sezione, traslazione
e rotazione a 180°

Section module,
translation
and 180° rotation



NEW DECORATION LIGHT

CODICI PANNELLO
PANEL CODES

AS N 001 **G18**
AS N 002 **G18**
AS N 003 **G18**
AS N 004 **G18**
AS N BI **G18**

CODICI ANGOLO
CORNER CODES

AS N 001 ANG **G13**
AS N 002 ANG **G13**
AS N 003 ANG **G13**
AS N 004 ANG **G13**
AS N BI ANG **G13**



| SPESSORE D'INGOMBRO MASSIMO DAL MURO: MAXIMUM THICKNESS FROM THE WALL: | | PANNELLO / PANEL | | | | | ANGOLO / CORNER | | | | | |
|---|---------------------------------------|--------------------|-----------------------|----------------|----------------|---|------------------|------------------|-----------------------|----------------|----------------|--|
| SPESSORE MATERIA DEL PRODOTTO: STUFF THICKNESS OF PRODUCT: | | LARGHEZZA WIDTH | H-ALTEZZA H-HEIGHT | AREA AREA | PESO WEIGHT | AREA CONVENZIONALE PER FATTURAZIONE CONVENZIONALE AREA FOR BILLING | LATO A SIDE A | LATO B SIDE B | H-ALTEZZA H-HEIGHT | AREA AREA | PESO WEIGHT | FATTURAZIONE PEZZO INTERO BILLING WHOLE PIECE |
| ~ 0.3 - 0.9 CM | | CM. | CM. | M ² | KG | M ² | CM. | CM. | CM. | M ² | KG | |
| NEW DECORATION | MISURA UTILE / USEFUL DIMENSIONS | 117 | 146 | 1.71 | ~19 | 1.78 | 17.7 | 22.7 | 146 | 0.59 | ~7.5 | 1 |
| | MASSIMO INGOMBRO / MAXIMUM DIMENSIONS | 122 | 146 | 1.78 | | | 24 | 24 | 146 | 0.7 | | |
| NEW DECORATION LIGHT | MISURA UTILE / USEFUL DIMENSIONS | 117 | 73 | 0.85 | ~9 | 0.89 | 17.7 | 22.7 | 73 | 0.29 | ~3.5 | 1 |
| | MASSIMO INGOMBRO / MAXIMUM DIMENSIONS | 122 | 73 | 0.89 | | | 24 | 24 | 73 | 0.35 | | |

ASSISI - AS 001

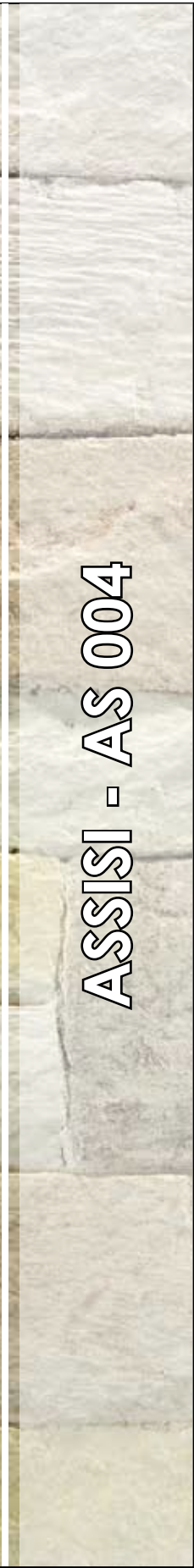




ASSISI - AS 002

ASSISI - AS 003





ASSISI - AS 004